

NEW VOLANTE DESKTOP SIT-STAND WORKSTATION



**QUICK
SHIP**



Front view - low



Side view - high



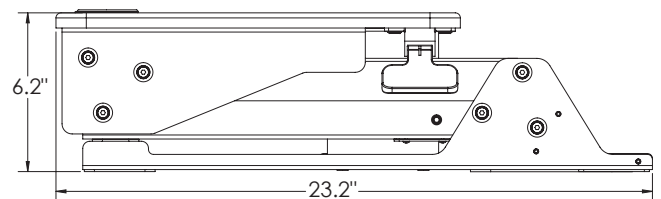
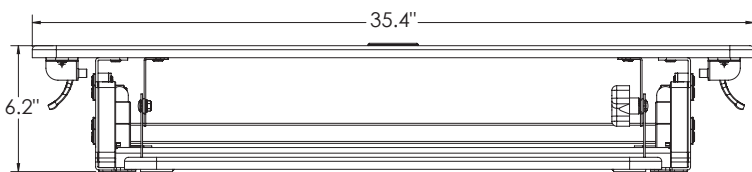
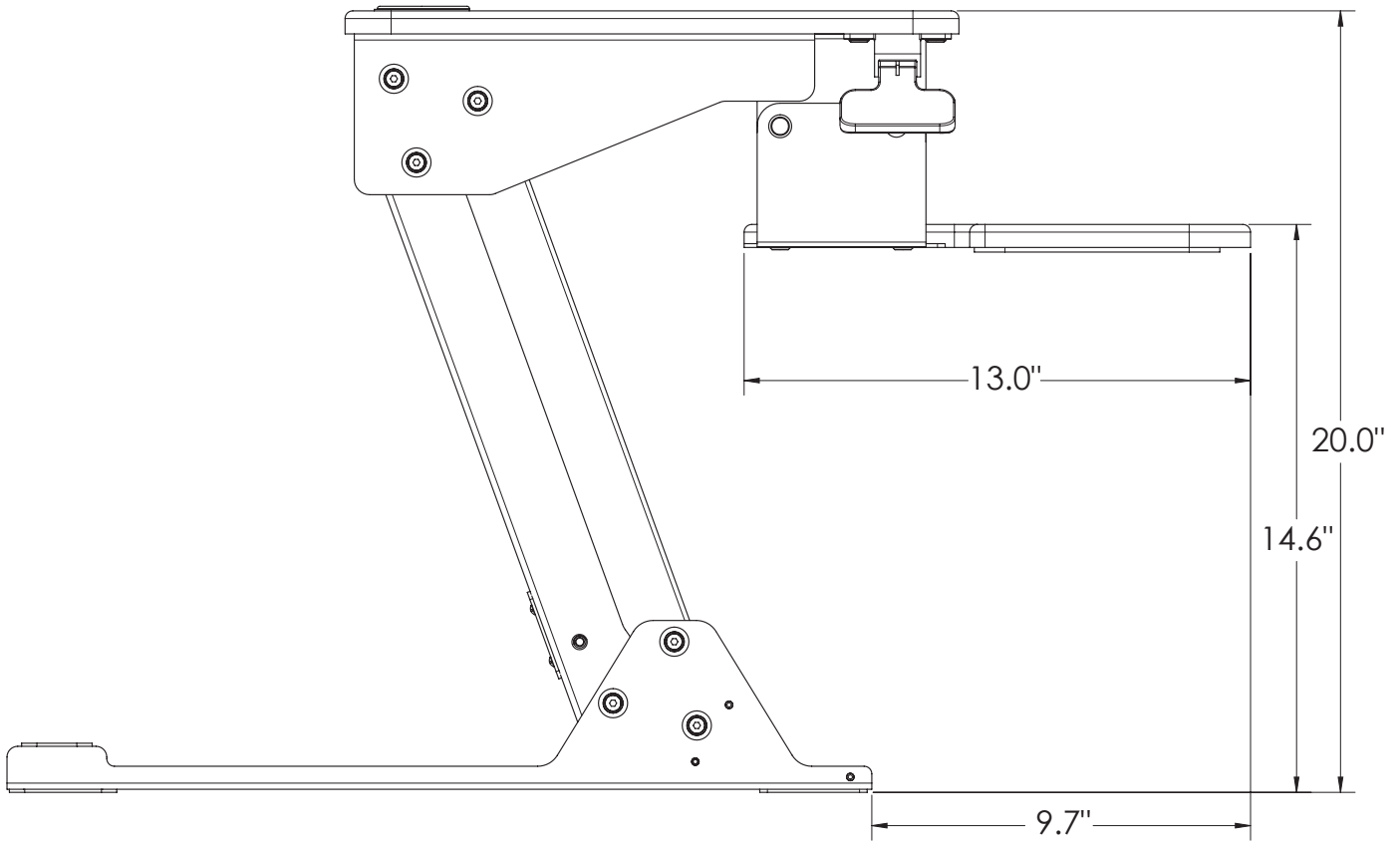
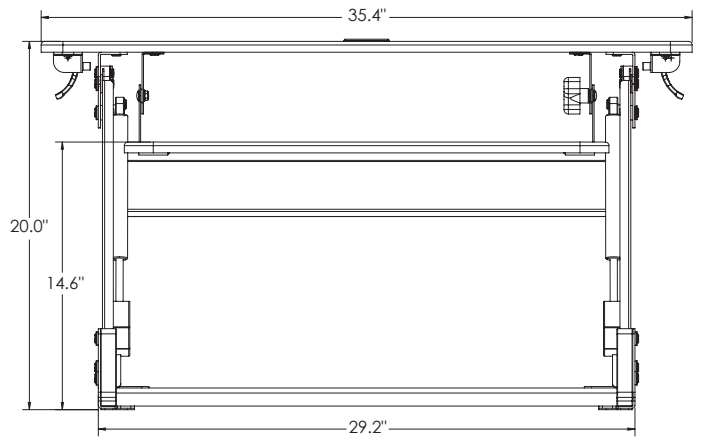
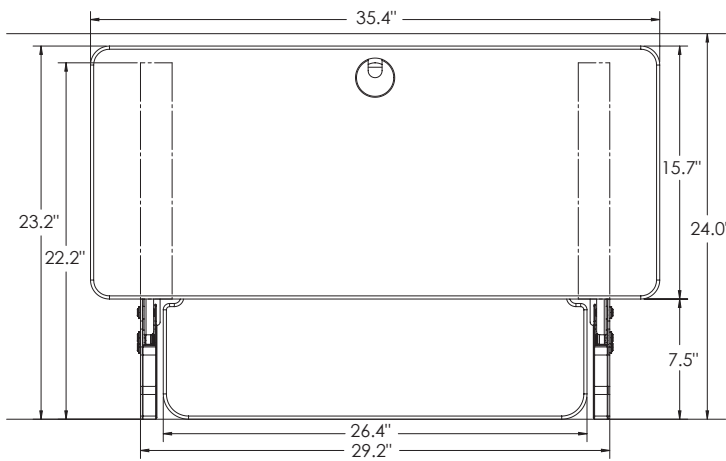
Side view - low

PRODUCT DETAILS

- Ships Fully Assembled
- Gas Assisted Height Adjustment
- Compact Footprint
- 20" of Infinite Height Adjustment
- Primary Work Surface Grommet
- 20 Degrees of Keyboard Surface Tilt
- Supports 35 Pounds of Technology
- Weighs 40 Pounds for Easy Install and Moving



To view complete specs and full product line visit www.systematix.org



Call Systematix Customer Service at 800-366-7873 for Complete Details



5953 COMMERCE RD. • MILTON, FL 32583
 TEL: (850) 983-2213 • (800) 366-7873
 FAX: (850) 983-1775
 EMAIL: INFO@SYSTEMATIX.ORG
WWW.SYSTEMATIX.ORG WWW.ERGOCHCK.COM